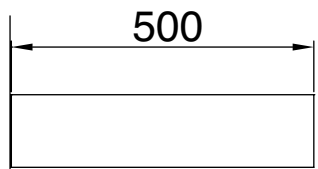
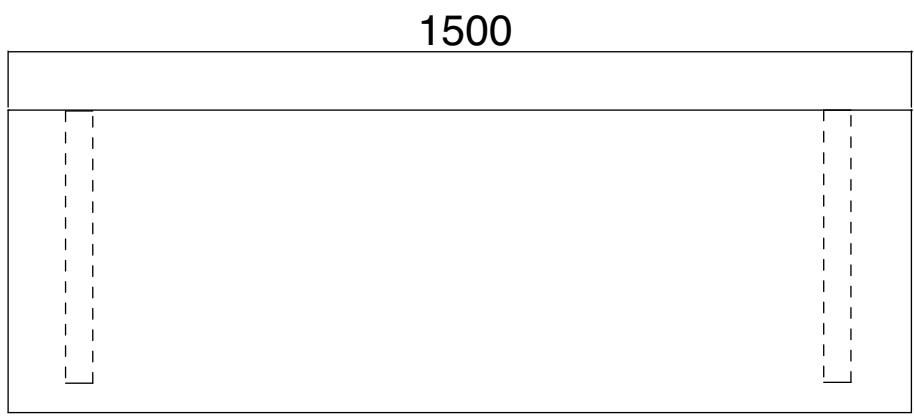
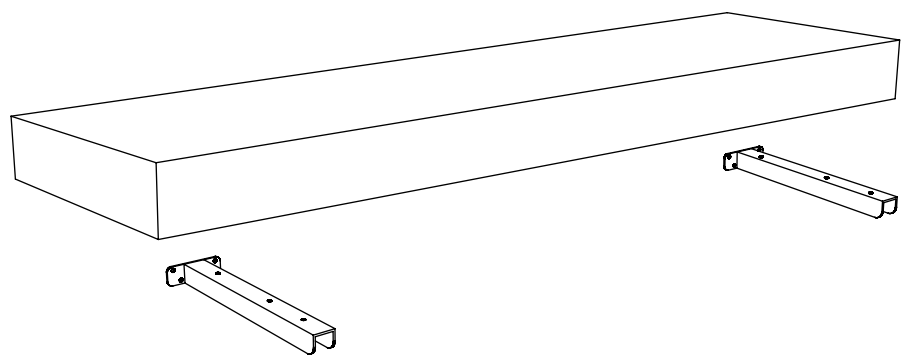


TOP LINE

Art. 522 - L150 P50 H12 Cm

- Top
- Top
- Plan
- Top
- Encimera
- Столешница



Tolleranza dimensioni  $\pm$  5%  
Dimension tolerance  $\pm$  5%